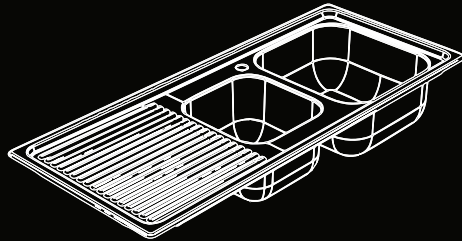


BENELLI CARE

“WE CARE” SINK



BENELLI
STAINLESS STEEL
 1 & 3/4 BOWLS
 SINK + DRAINER



TECHNICALS

Model: BEN-C773HN-1.5RHMF
 (1 & 3/4 RIGHT HAND BOWLS)

Featured above with Benelli “Freedom Care” BEN-38119L Kitchen Sink Mixer.

* Freedom Care Tap Mixer and Accessories are not included. Additional Tap Holes upon request.

NEW Benelli ‘We Care’ Stainless Steel Kitchen Sink models have been designed and manufactured with input + assistance from people involved with SDA and affiliated specialists, and with all models crafted to comply with their standards as well as AS1428.1, you can use with confidence these products.

FEATURES

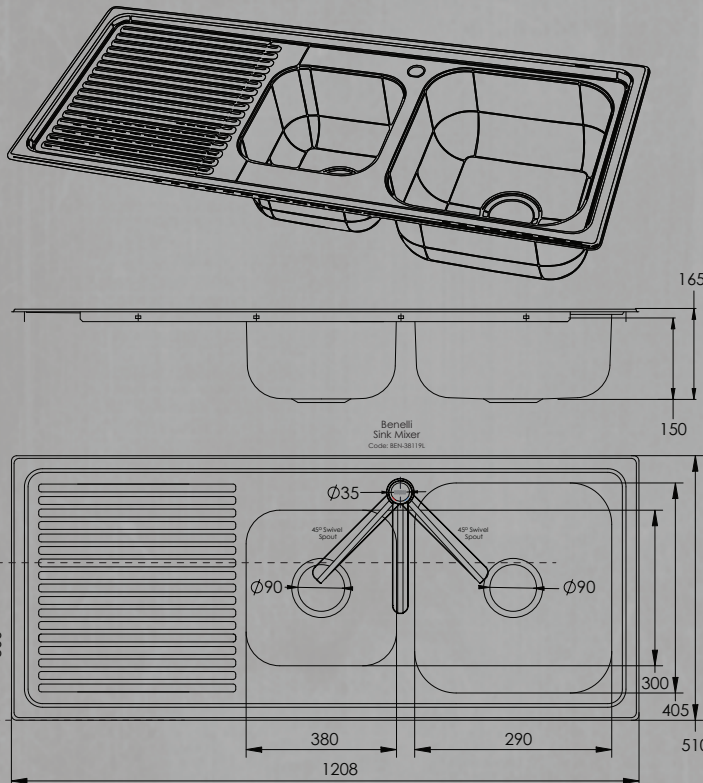
- Right Hand Bowls Topmount Sink with Drainer
- Mirror Finish Stainless Steel
- 150mm Shallow Bowl Depth
- Single Tap Hole Standard*
- 5 Years Limited Manufacturers Warranty
- 1 Year Limited Commercial Warranty
- WaterMark Certified
- 2x Basket Plug & Waste included

COMPLIANCE

♿ Suitable for installation to comply to Australian Standard AS 1428.1 Design for Access and Mobility

www.standards.org.au

Important Note: This sink meets compliancy only with Benelli Freedom Care Mixer BEN-38119L from the Freedom Care Mixer Range.



www.benelliglobal.com.au

All installations should be carried out by a qualified tradesman in compliance with the national Plumbing & Drainage Code and any State or Local Authority Regulations, in accordance with AS/NZS 3500 series of standards and AS/NZA 6400.