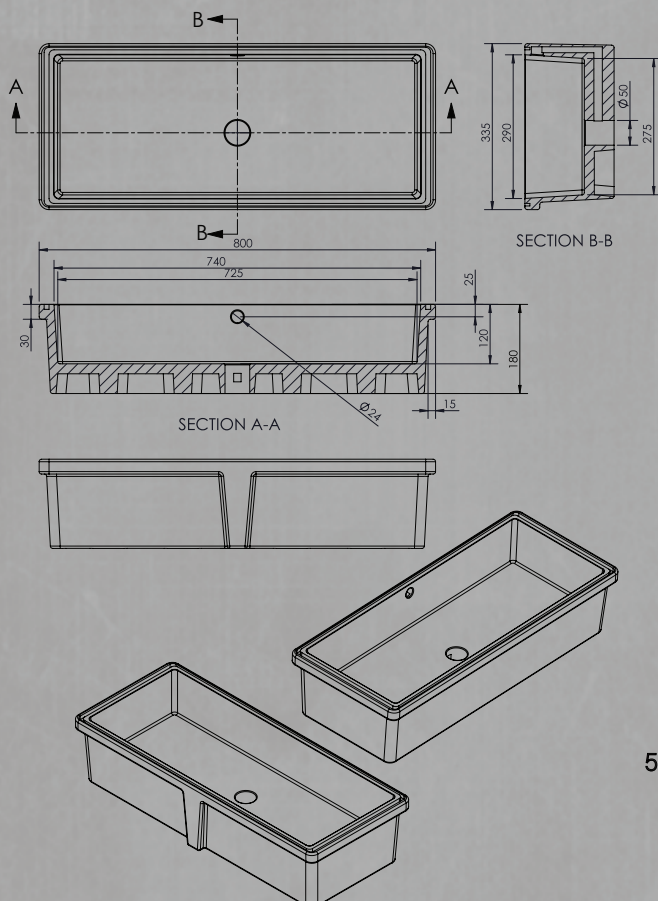


TECHNICALS

BEN-1507

(CHLOE UNDER-COUNTER WASHBASIN)

* Taps and Accessories are not included.



BASIN*

Hard Wearing Vitreous China
800mm x 335mm x 180mm
Over Flow Supplied Standard
Plug & Waste Not Included

GUARANTEE

5 Years Limited Manufacturers Warranty
1 Year Limited Commercial Warranty